

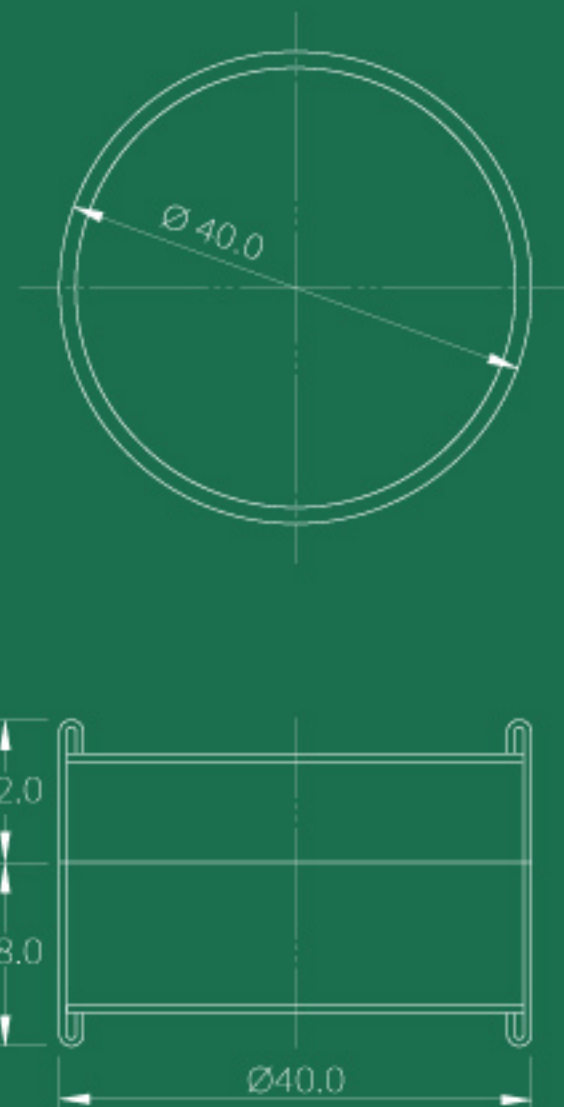
M01

SIZE $\phi 40.0 \text{ mm} \times 30.0 \text{ mm}$

CAPACITY 5g

MATERIAL Paper

Lomei



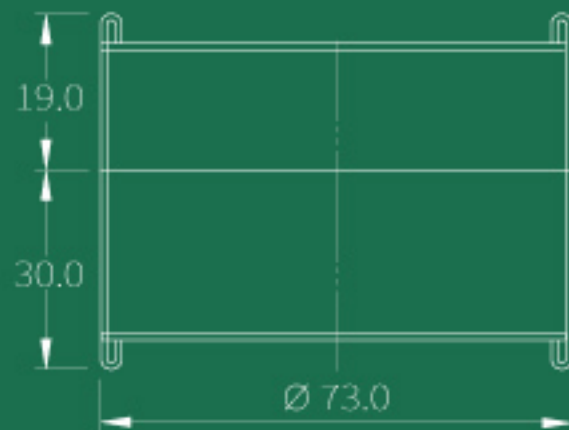
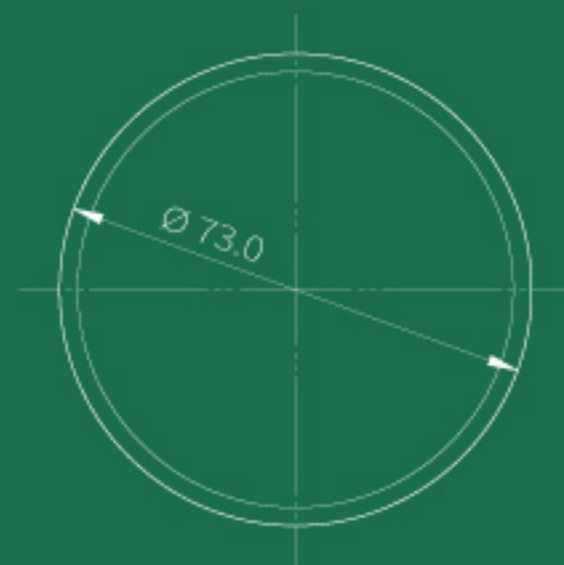
M02

SIZE $\phi 73.0$ mm \times 49.0 mm

CAPACITY 10g

MATERIAL Paper

Lomei



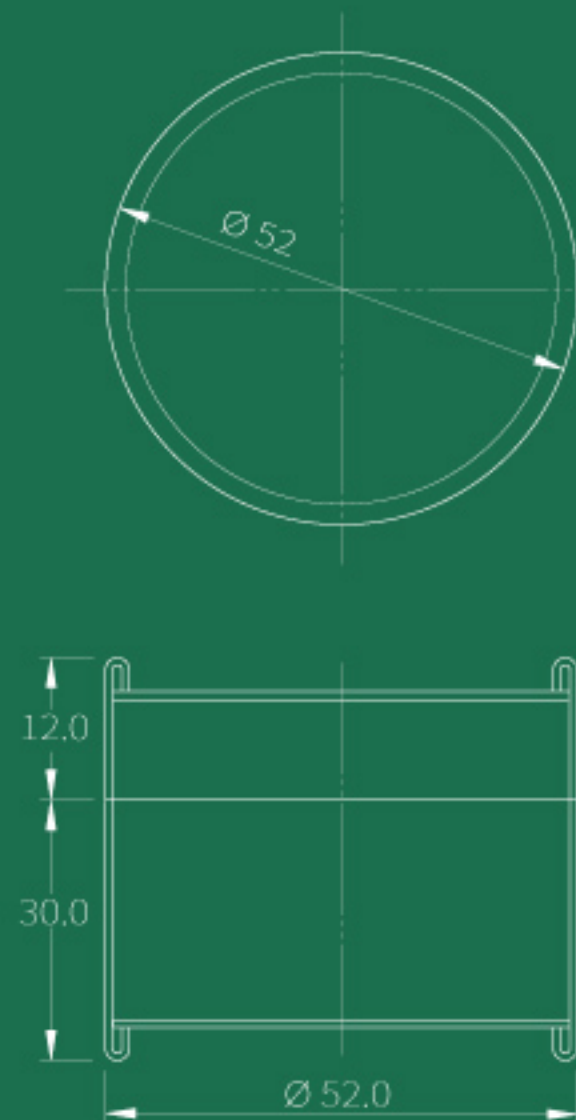
M03

SIZE $\phi 52.0 \text{ mm} \times 42.0 \text{ mm}$

CAPACITY 9g

MATERIAL Paper

Lomei



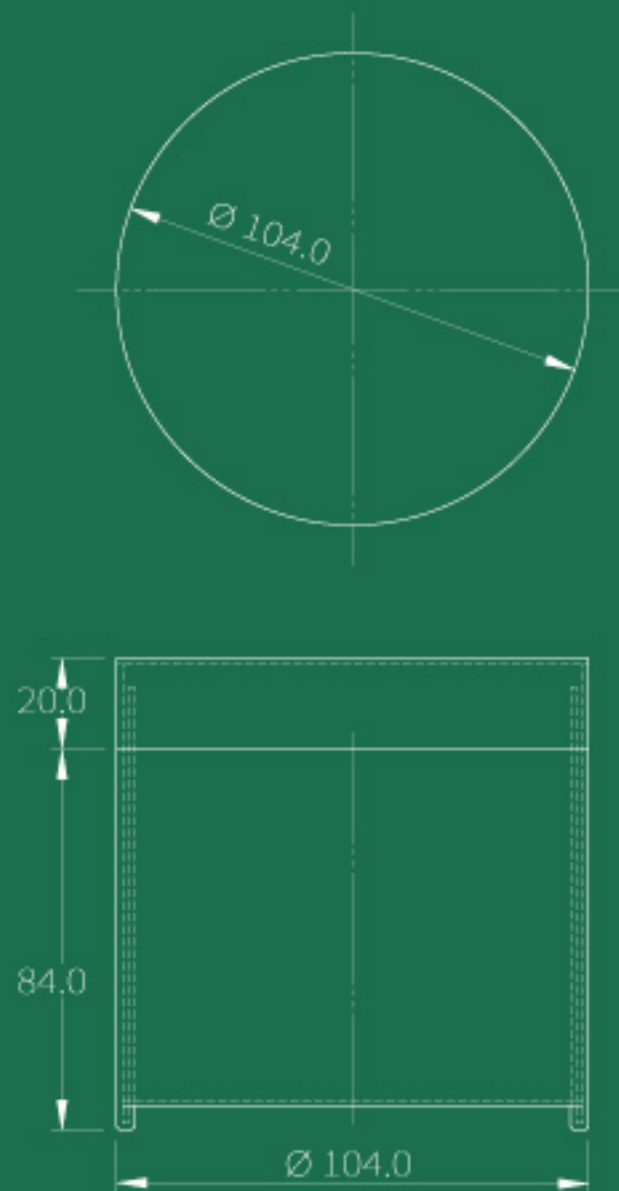
M04

SIZE $\phi 104.0 \text{ mm} \times 104.0 \text{ mm}$

CAPACITY 120g

MATERIAL Paper

Lomei

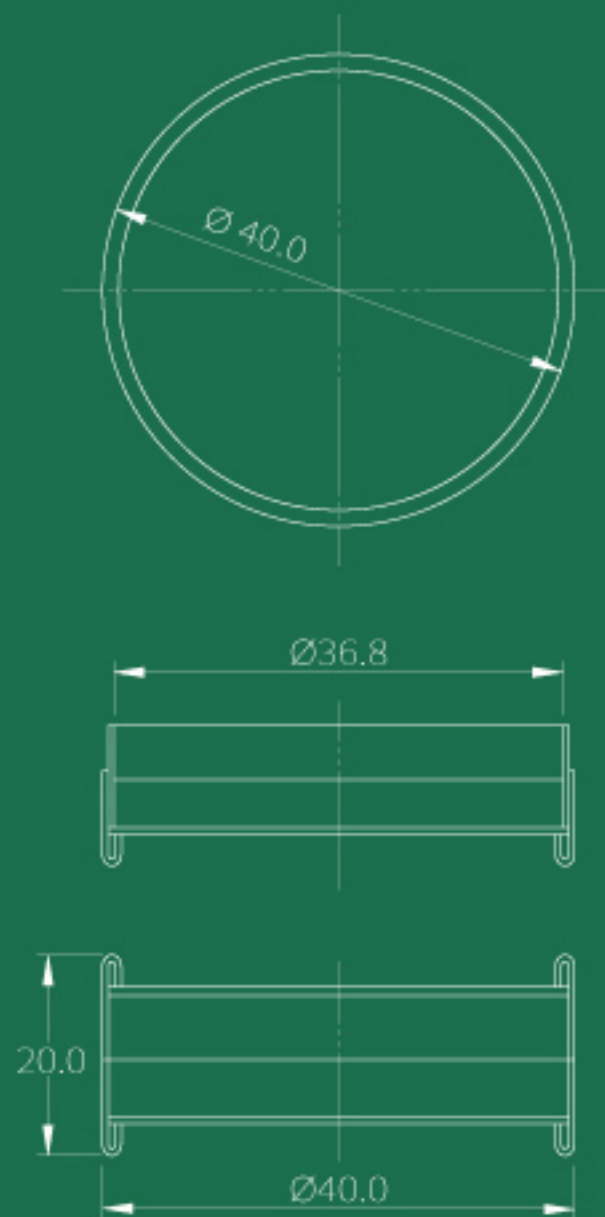


E01

SIZE $\phi 40.0$ mm \times 20.0 mm

MATERIAL Paper

Lomei



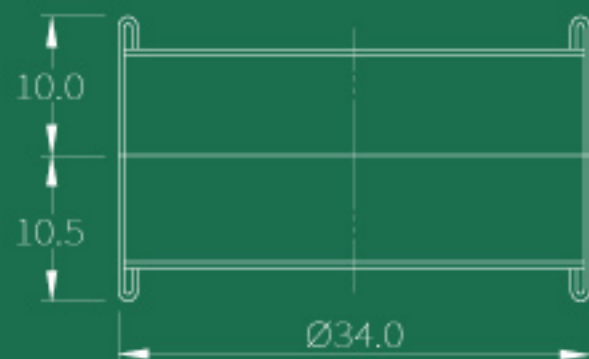
E01-30

SIZE $\phi 34.0$ mm \times 20.5 mm

CAPACITY 2.5g (Powder)

MATERIAL Cap & Base : Paper

Lomei



T01

SIZE $\phi 62.0 \text{ mm} \times 20.0 \text{ mm}$

MATERIAL Paper

Lomei

