

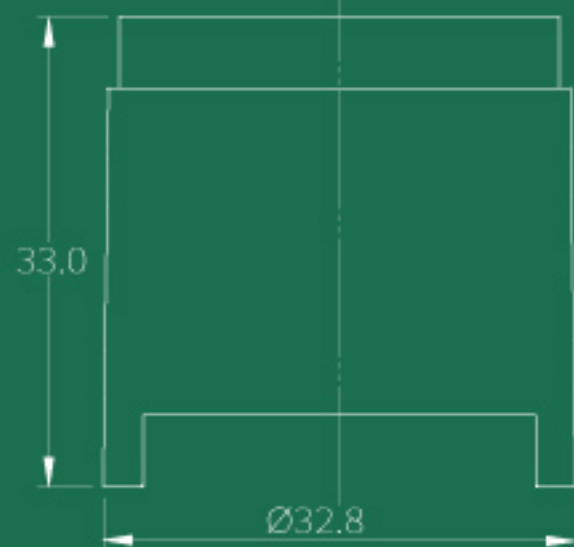
788

SIZE $\phi 32.8$ mm \times 33.0 mm

CAPACITY 4.5g (Powder) / 6.5g (Glitter)

MATERIAL CapCap & Base: PP / Body: SAN

Lomei



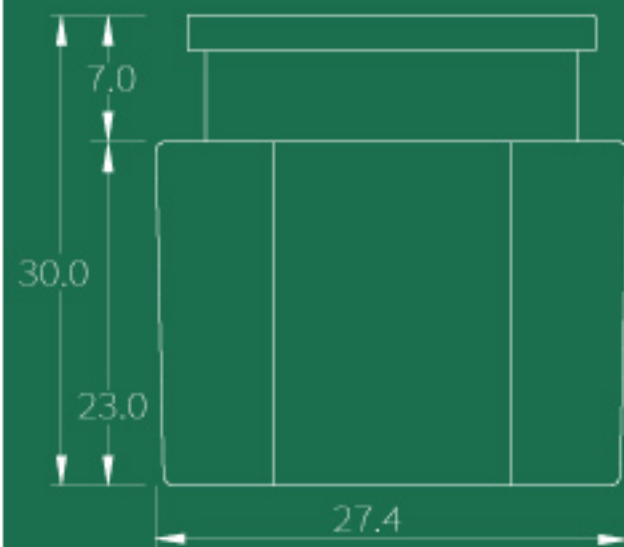
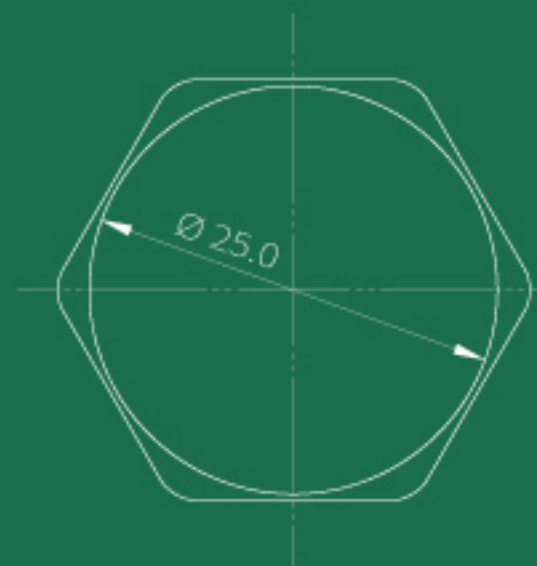
EP6

SIZE 27.4 mm × 25.0 mm × 30.0 mm

CAPACITY 15g (Powder)

MATERIAL PS

Lomei



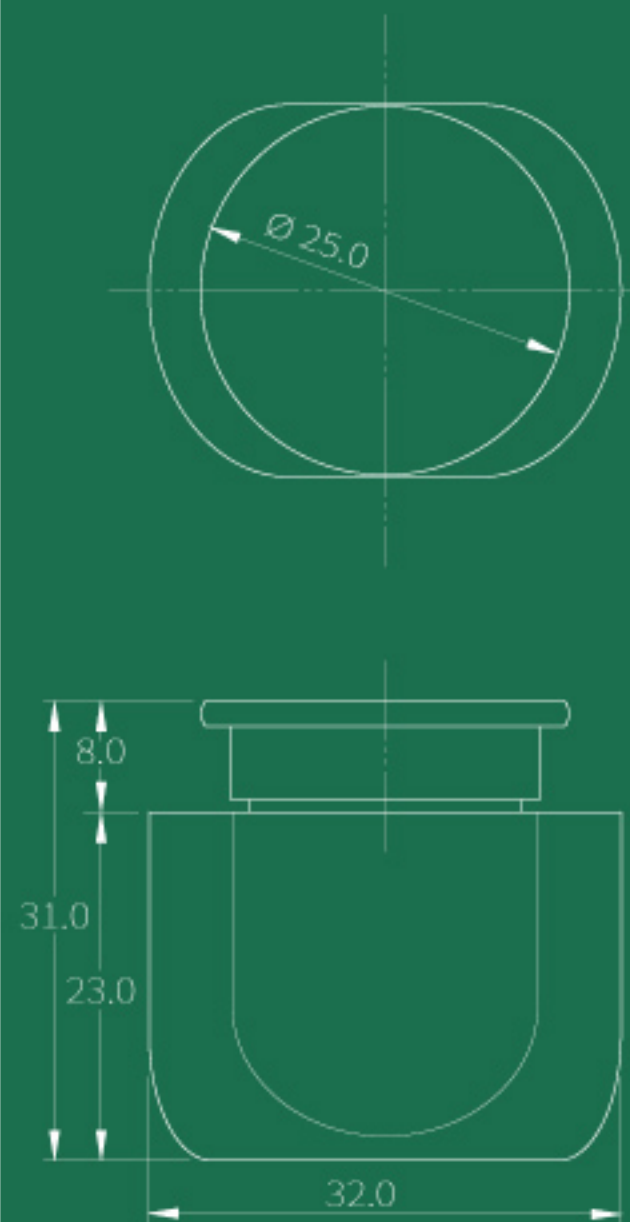
EP7

SIZE 32.0 mm × 25.0 mm × 31.0 mm

CAPACITY 3.5g (Powder)

MATERIAL Cap: PS / Base: PS

Lomei



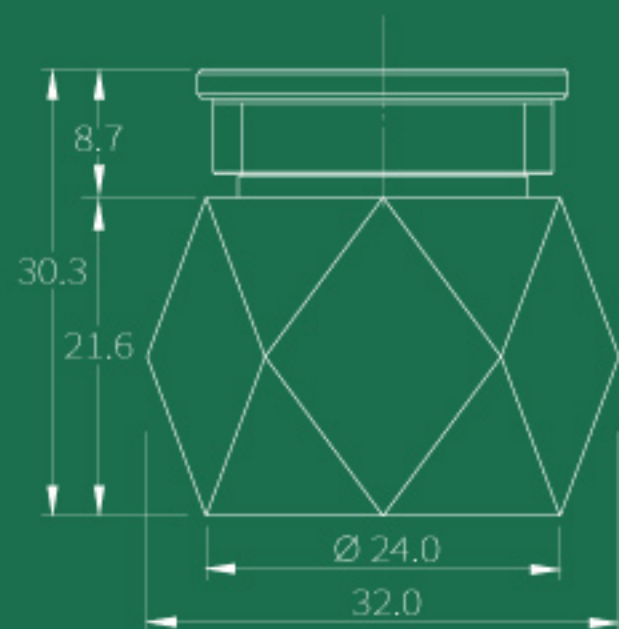
EP8

SIZE 32.0 mm × 24.0 mm × 30.3 mm

CAPACITY 1.2±0.3g (Powder)

MATERIAL PS

Lomei



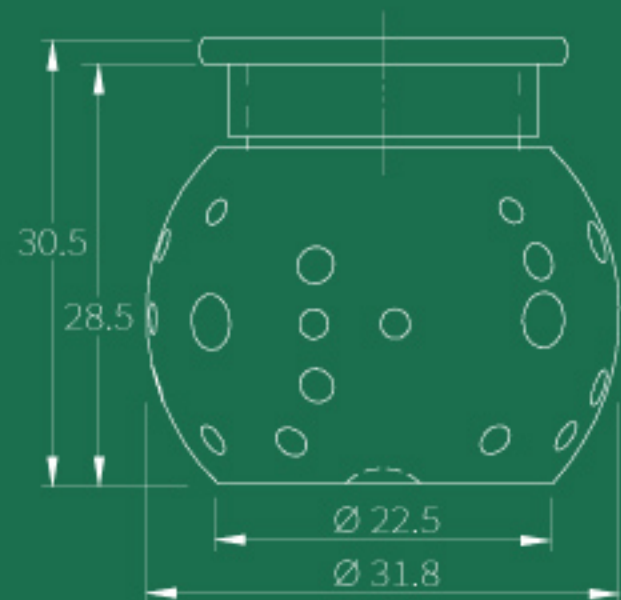
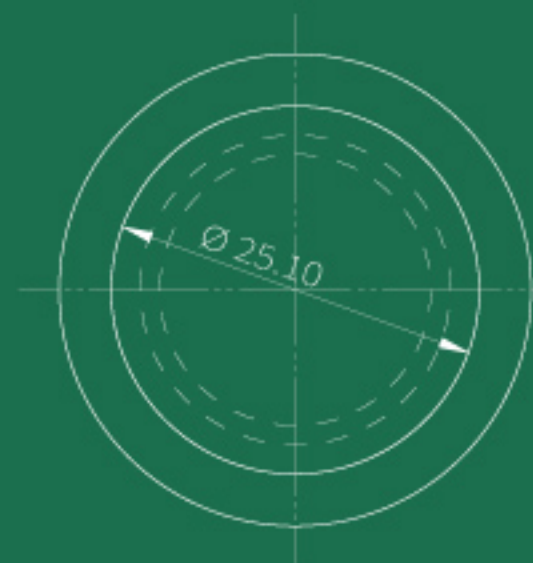
EP11

SIZE 31.8 mm × 22.5 mm × 30.5 mm

CAPACITY 1.0±0.2g (Powder)

MATERIAL PS

Lomei



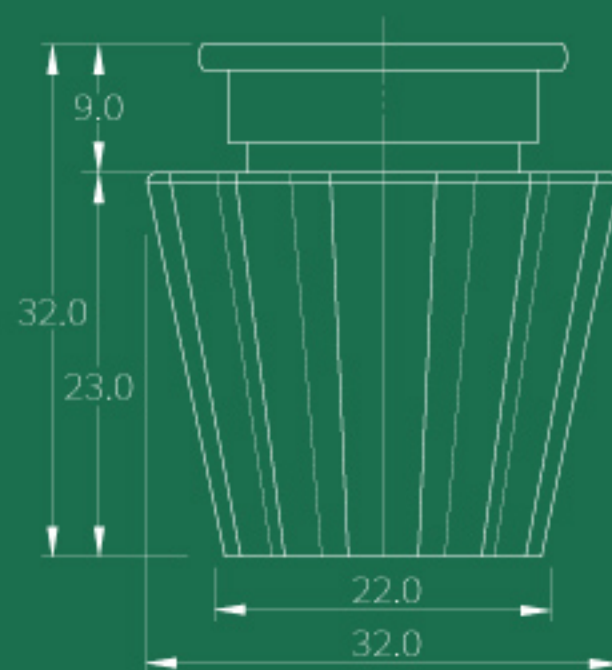
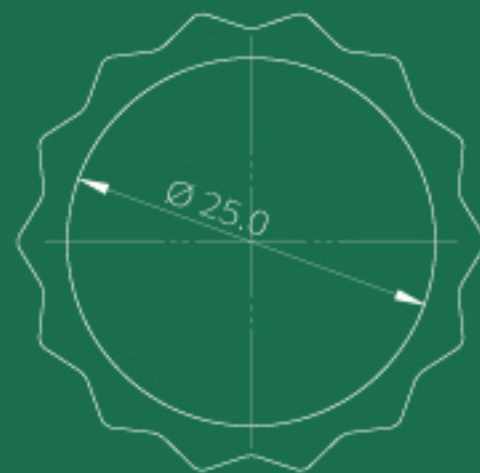
EP13

SIZE 32.0 mm × 22.0 mm × 32.0 mm

CAPACITY 0.8g

MATERIAL Cap: PS / Base: PS

Lomei



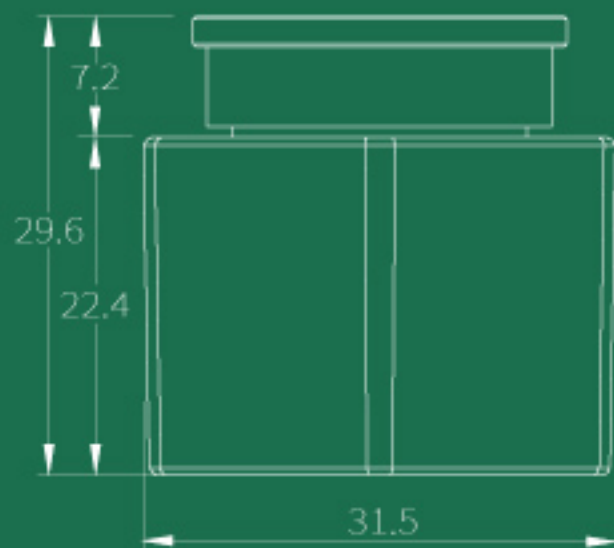
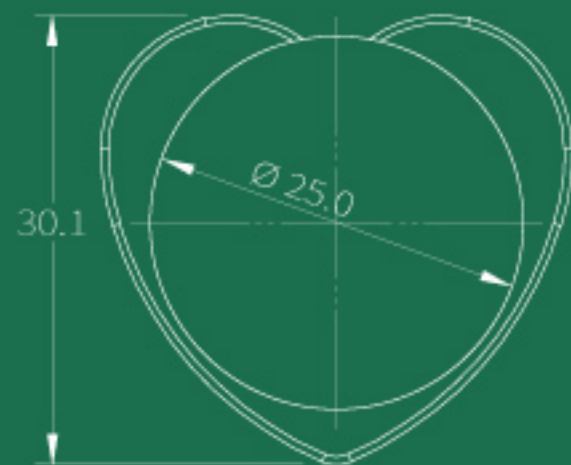
EP15

SIZE 30.1 mm × 31.5 mm × 29.6 mm

CAPACITY 1g

MATERIAL PS

Lomei



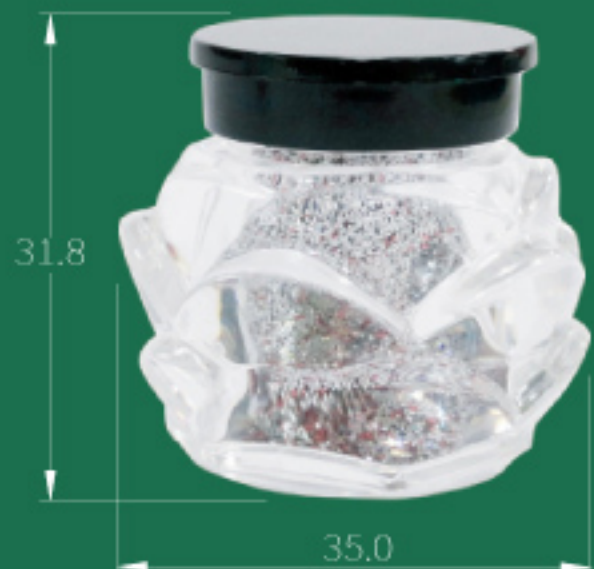
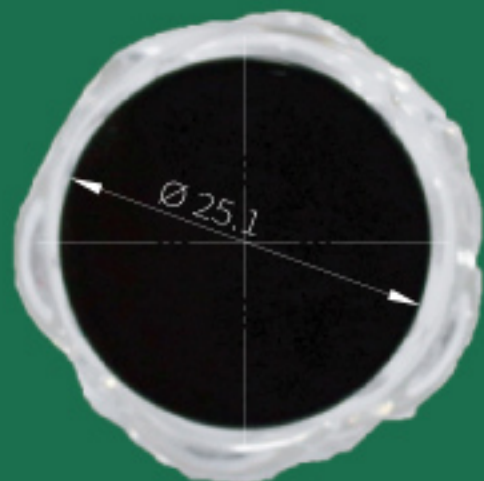
EP23

SIZE 35.0 mm × 35.0 mm × 31.8 mm

CAPACITY 1.3g

MATERIAL PS

Lomei



W81

SIZE 29.0 mm × 25.4 mm

CAPACITY 2.4g

MATERIAL Cap: ABS / Base: SAN | Sifter: PE

Lomei

